

# TANDEM SEAL™

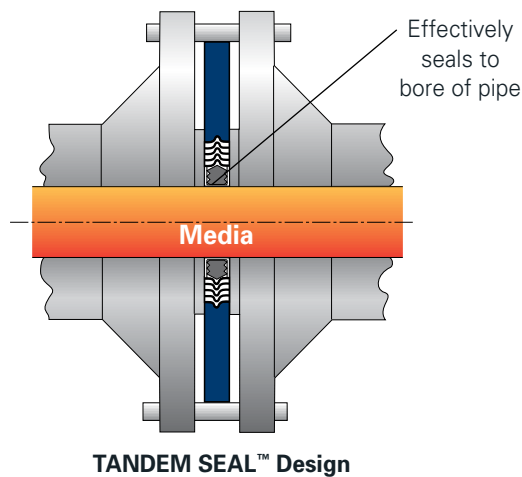
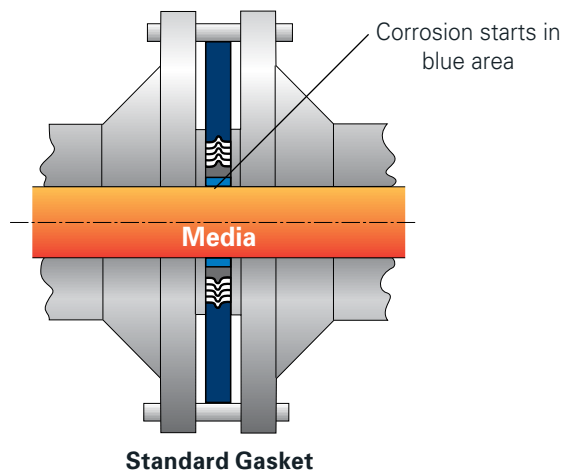
## BENEFITS

### Chemical-resistant and fire-safe

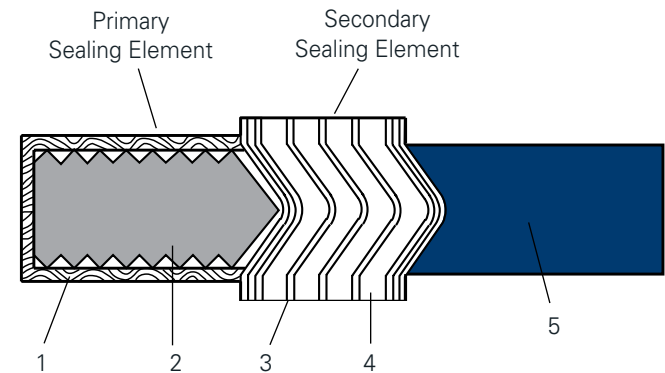
- » PTFE envelope withstands aggressive chemicals and corrosive media
- » Fire-safe—passed independent fire tests
- » Two sealing elements significantly reduce corrosion and bacterial contamination of flanges
- » Seals to the ID of the pipe bore - specify pipe schedule when ordering



## SEAL COMPARISON

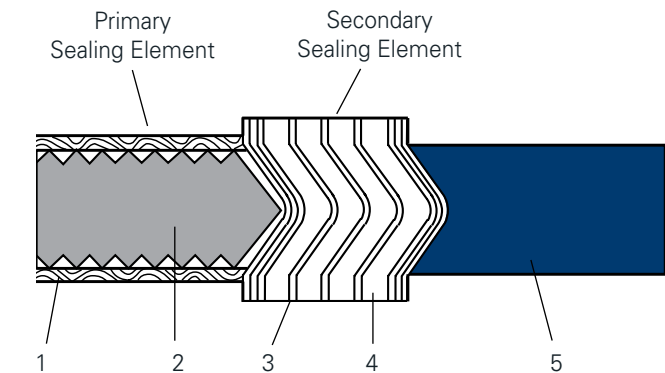


## STANDARD CONSTRUCTION



- |                           |                     |
|---------------------------|---------------------|
| 1. PTFE envelope          | 4. Filler material  |
| 2. Kammprofile inner ring | 5. Outer guide ring |
| 3. Metal windings         |                     |

## ALTERNATE CONSTRUCTION



- |   |                     |
|---|---------------------|
| 1. Flexible Graphite or Expanded Teflon® Facing | 3. Metal windings   |
| 2. Kammprofile inner ring                       | 4. Filler material  |
|   | 5. Outer guide ring |

\* Acid detecting paint also available

Patent No. 5511797